

Meteor Bowl Ball-Valve Mounting

This instruction describes the mounting of the manual ball-valve to Hydro's Meteor Bowl.

Instructions

- 1.0 Using the Meteor Bowl mounting pattern install wall anchors and headless screws for wall mounting. For machine mounts, do not install the machine screws on the side of the bowl that the valve is to be mounted. The valve can be mounted on either side of the bowl.
- 2.0 Headless screws can be installed into the wall anchors by using a combination of two ¼"-20 nuts (extra nuts are supplied in the kit) as shown in figure 3 below.
- 3.0 Place the ball valve bracket assembly over the headless screws after the bowl is mounted. Install the hex nuts to hold down the bracket assembly. For machine mounts, install the valve bracket assembly with longer machine screws.
- 4.0 With the bracket assembly in place, install the ¼" tubing between the ball valve and the vacuum breaker valve inlet. Install the water inlet to the ball valve.

Online and downloadable Product Manuals and Quick Start Guides are available at www.HydroSystemsCo.com. Please check online for the latest version of this Reference Manual.



WARNING:

This service replacement part is intended for use only by experienced installers! All machine and dispenser power must be shut off during this replacement procedure!

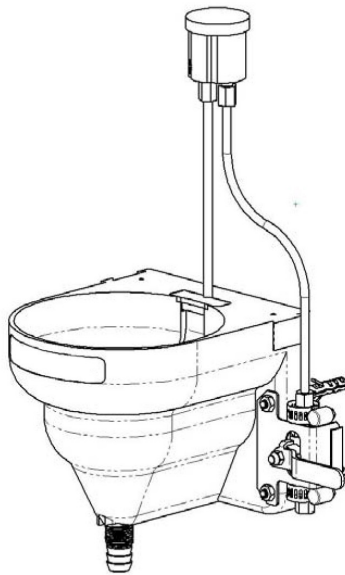


Figure 1

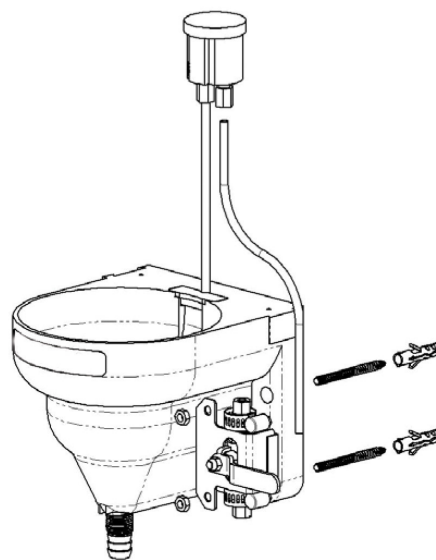


Figure 2



Figure 3

Instructions

This instruction describes the mounting of the manual timer to Hydro's Meteor Bowl.

- 1.0 Using the Meteor Bowl mounting pattern install the meteor bowl however, leave the screws on one side loose so that the bowl is not tight to the wall or machine. This will be the same for a wall mounting or a machine mounting.
- 2.0 Place the timer-mounting bracket so that the notches capture the two loose screws on the one side of the bowl. Tighten the screws once the bracket is in place.
- 3.0 Mount the timer to the bracket as noted in the timer mounting kit (locking hex nuts).
- 4.0 With the timer in place, install the ¼" tubing between the timer valve and the vacuum breaker valve inlet. Install the water inlet to the timer valve.

Online and downloadable Product Manuals and Quick Start Guides are available at www.HydroSystemsCo.com Please check online for the latest version of this Reference Manual.



WARNING:

This service replacement part is intended for use only by experienced installers! All machine and dispenser power must be shut off during this replacement procedure!

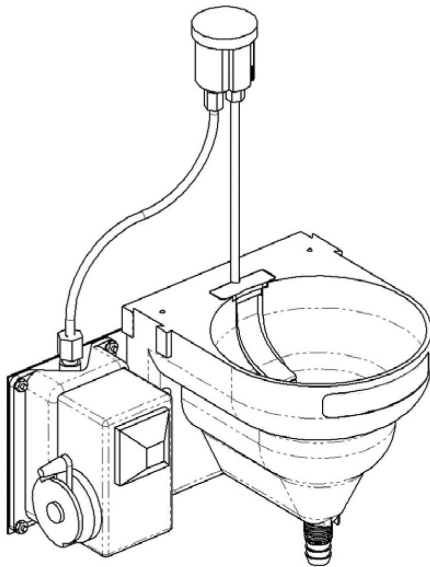


Figure 4

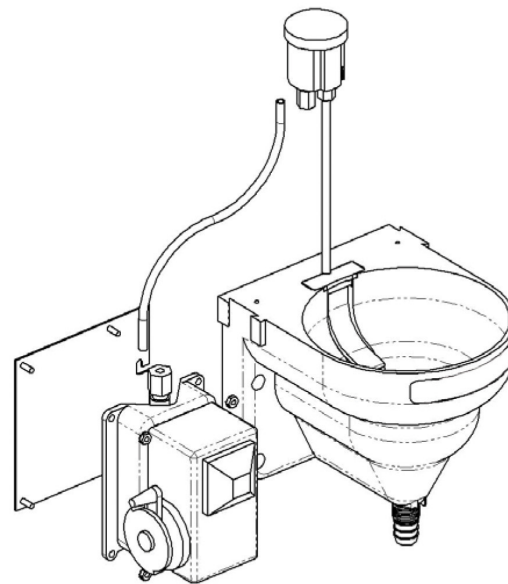


Figure 5